

# MCB EKM1-63 6kA



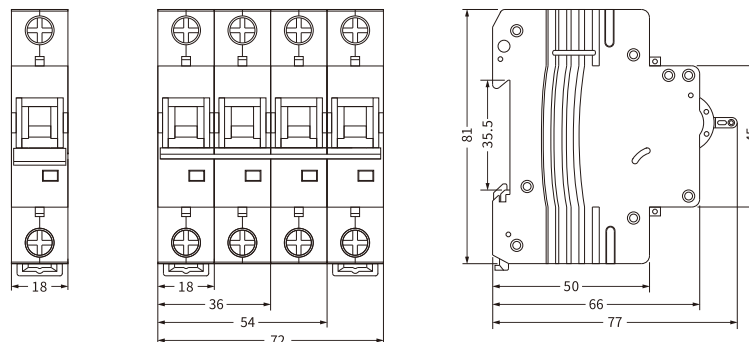
Mini Circuit Breaker ----- Standard\_IEC60898-1



## Technical Data

Standard	IEC/EN60898-1
Protection	Overcurrent and short circuit
Type of trip	Thermo-magnetic
No.of poles	1P,2P,3P,4P,1P+N,3P+N
Rated voltage (Ue)	240/415V~
Rated currents (In)	1,2,3,4,5,6,10,16,20,25,32,40,50,63A
Rated frequency	50/60Hz
Rated breaking capacity	6,000A
Energy Limiting Class	3
Rated impulse withstand voltage(1.2/50) (Uimp)	4,000V
Dielectric test voltage at Ind. Freq.for 1 min	2kV
Thermal release characteristic	(1.13-1.45) x In
Magnetic release characteristic	B:(3-5) x In, C:(5-10) x In, D:(10-20) x In
Electrical life	4,000 Cycles
Mechanical life	10,000 Cycles
Contact position indicator	Yes
Protection degree	IP20
Ambient temperature	-5°C to +40°C, Max.95% humidity
Terminal connection type	Cable/Pin-type busbar/Fork-type busbar
Max.terminal size for cable	25mm <sup>2</sup>
Max.tightening torque	2.5N.m
Installation	Mounting on 35mm DIN rail
Connection	From top and bottom

## Overall and Installation Dimension(mm)



# DC MCB EKM1-63DC

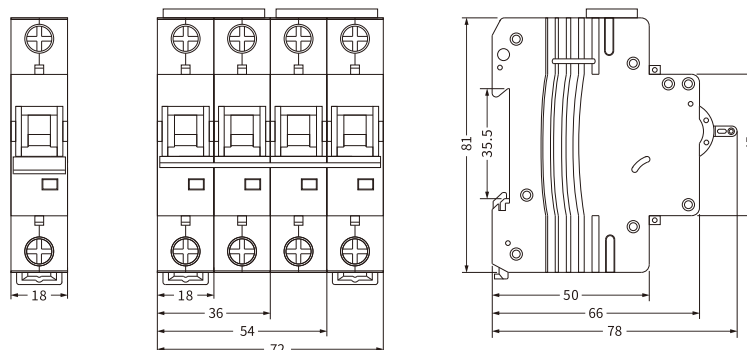
Mini Circuit Breaker ----- Standard\_IEC60947-2



## Technical Data

Standard	IEC/EN60947-2
Protection	Overcurrent and short circuit
Type of trip	Thermo-magnetic
No.of poles	1P,2P,4P
Rated voltage (Ue)	1P(250VDC),2P(550VDC),4P(1000VDC)
Rated currents (In)	1,2,3,4,5,6,10,16,20,25,32,40,50,63A
Rated breaking capacity	6,000A
Rated impulse withstand voltage(1.2/50) (Uimp)	4,000V
Dielectric test voltage at Ind. Freq.for 1 min	3kV
Thermal release characteristic	(1.05-1.30) x In
Magnetic release characteristic	(8-12) x In
Electrical life	4,000 Cycles
Mechanical life	10,000 Cycles
Contact position indicator	Yes
Protection degree	IP20
Ambient temperature	-5°C to +40°C, Max.95% humidity
Terminal connection type	Cable/Pin-type busbar/Fork-type busbar
Max.terminal size for cable	25mm <sup>2</sup>
Max.tightening torque	2.5N.m
Installation	Mounting on 35mm DIN rail
Connection	According to the wiring diagram

## Overall and Installation Dimension(mm)





## Product Selection Guide

**EK**   **U5**   -   **T2**   -   **20**   -   **1P**   -   **275**   **S**

EK	ETEK
U5	SPD series No.5
T2	Class II / Type 2
20	I.max: 20kA
1P	No. of Poles: 1:1P; 2:2P; 3:3P; 4:4P; 1PN:1P+NPE; 3PN:3P+NPE
275	Uc: 150:150V; 275:275V; 320:320V; 385:385V; 440:440V
S	With Remote Signaling

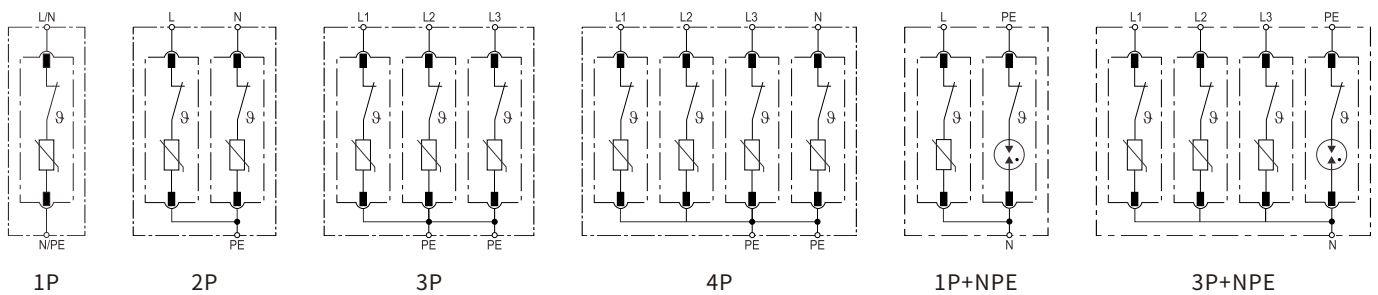
## SPD Type Reference List

No. of Poles	Max. Continuous Operating AC Voltage				
	150V	275V	320V	385V	440V
1P	EKU5-T2-20-1P150	EKU5-T2-20-1P275	EKU5-T2-20-1P320	EKU5-T2-20-1P385	EKU5-T2-20-1P440
2P	EKU5-T2-20-2P150	EKU5-T2-20-2P275	EKU5-T2-20-2P320	EKU5-T2-20-2P385	EKU5-T2-20-2P440
3P	EKU5-T2-20-3P150	EKU5-T2-20-3P275	EKU5-T2-20-3P320	EKU5-T2-20-3P385	EKU5-T2-20-3P440
4P	EKU5-T2-20-4P150	EKU5-T2-20-4P275	EKU5-T2-20-4P320	EKU5-T2-20-4P385	EKU5-T2-20-4P440
1P+NPE	EKU5-T2-20-1PN150	EKU5-T2-20-1PN275	EKU5-T2-20-1PN320	EKU5-T2-20-1PN385	EKU5-T2-20-1PN440
3P+NPE	EKU5-T2-20-3PN150	EKU5-T2-20-3PN275	EKU5-T2-20-3PN320	EKU5-T2-20-3PN385	EKU5-T2-20-3PN440
With Remote Signaling					
1P	EKU5-T2-20-1P150S	EKU5-T2-20-1P275S	EKU5-T2-20-1P320S	EKU5-T2-20-1P385S	EKU5-T2-20-1P440S
2P	EKU5-T2-20-2P150S	EKU5-T2-20-2P275S	EKU5-T2-20-2P320S	EKU5-T2-20-2P385S	EKU5-T2-20-2P440S
3P	EKU5-T2-20-3P150S	EKU5-T2-20-3P275S	EKU5-T2-20-3P320S	EKU5-T2-20-3P385S	EKU5-T2-20-3P440S
4P	EKU5-T2-20-4P150S	EKU5-T2-20-4P275S	EKU5-T2-20-4P320S	EKU5-T2-20-4P385S	EKU5-T2-20-4P440S
1P+NPE	EKU5-T2-20-1PN150S	EKU5-T2-20-1PN275S	EKU5-T2-20-1PN320S	EKU5-T2-20-1PN385S	EKU5-T2-20-1PN440S
3P+NPE	EKU5-T2-20-3PN150S	EKU5-T2-20-3PN275S	EKU5-T2-20-3PN320S	EKU5-T2-20-3PN385S	EKU5-T2-20-3PN440S

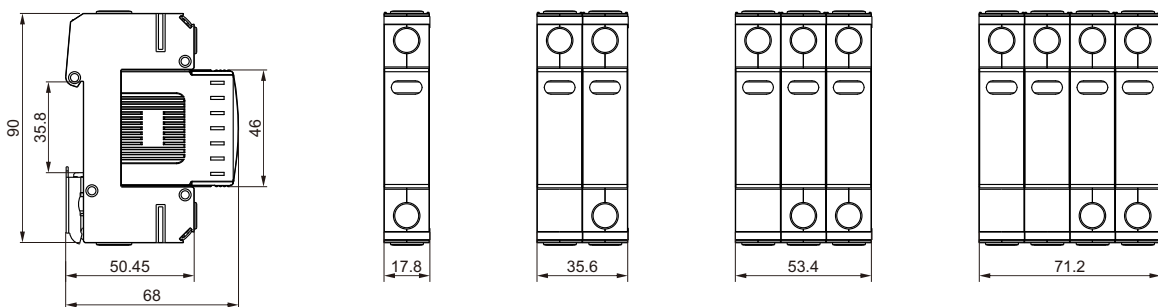
## Technical Data

No. of poles	1P	2P	3P	4P	1P+NPE	3P+NPE
Network systems	TN-S, TN-C, TT(only L-N)	TN-S	TN-C	TN-S	TT, TN-S	
Mode of protection	L-PE, N-PE(only TN-S), L-PEN, L-N	L-PE, N-PE	L-PEN	L-PE, N-PE	L-N, N-PE	
Protective elements	High Energy MOV				High Energy MOV and GDT	
Maximum continuous operating voltage (L-N)	Uc	150V	275V	320V	385V	440V
Maximum continuous operating voltage (N-PE)	Uc			255V		
Norminal discharge current (8/20μs) (L-N)/(N-PE)	In			10kA		
Maximum discharge current (8/20μs) (L-N)/(N-PE)	Imax			20kA		
Voltage protection level (L-N)/(N-PE)	Up	0.8kV/1.5kV	1.0kV/1.5kV	1.2kV/1.5kV	1.45kV/1.5kV	1.6kV/1.5kV
Voltage protection level 5kA	Up	0.5kV	0.8kV	1.0kV	1.2kV	1.4kV
Response time (L-N)/(N-PE)	tA	≤25ns/≤100ns				
Operating temperature range	Tu	-40°C to +80°C				
Max. Back-up fuse		125 A gL/gG				
Operating state/fault indication		Green/Red(L-N),Yellow(N-PE)				
Cross-section area (Min.)/(Max.)		4mm <sup>2</sup> /35mm <sup>2</sup>				
Mounting		35 mm DIN Rail, EN 60715				
Enclosure material		Thermal Plastic UL94-V0				
Degree of protection		IP20 (built-in)				

## Basic Circuit Diagram



## Overall and Installation Dimension(mm)





## Product Selection Guide

EK U5 - T2 - 20 PV - 2M - 600 S

EK	ETEK
U5	SPD series No.5
T2	Class II / Type 2
40	I.max: 20kA
PV	Solar PV System
2M	No. of Module: 2:2Module; 3:3Module
600	Uc: 600: DC600V; 800: DC800V; 1000: DC1000V; 1500: DC1500V
S	With Remote Signaling

## SPD Type Reference List

No. of Module	Max. Continuous Operating DC Voltage			
	600VDC	800VDC	1000VDC	1500VDC
2Module	EKU5-T2-20PV-2M600	EKU5-T2-20PV-2M800	EKU5-T2-20PV-2M1000	-
3Module	-	-	EKU5-T2-20PV-3M1000	EKU5-T2-20PV-3M1500
With Remote Signaling				
2Module	EKU5-T2-20PV-2M600S	EKU5-T2-20PV-2M800S	EKU5-T2-20PV-2M1000S	-
3Module	-	-	EKU5-T2-20PV-3M1000S	EKU5-T2-20PV-3M1500S



## MCB EKM1-125S 6kA

Mini Circuit Breaker

Standard\_ IEC60898-1



### Technical Data

Standard	IEC/EN60898-1
Protection	Overcurrent and short circuit
Type of trip	Thermo-magnetic
No.of poles	1P,2P,3P,4P,1P+N,3P+N
Rated voltage (Ue)	240/415V~
Rated currents (In)	63,80,100,125A
Rated frequency	50/60Hz
Rated breaking capacity	6,000A
Rated impulse withstand voltage(1.2/50) (Uimp)	4,000V
Dielectric test voltage at Ind. Freq.for 1 min	2kV
Thermal release characteristic	(1.13-1.45) x In
Thermo-magnetic release characteristic	C:(5-10) x In, D:(10-20) x In
Electrical life	4,000 Cycles
Mechanical life	10,000 Cycles
Contact position indicator	Yes
Protection degree	IP20
Ambient temperature	-5°C to +40°C, Max.95% humidity
Terminal connection type	Cable/Pin-type busbar
Max.terminal size for cable	50mm <sup>2</sup>
Max.tightening torque	3.5N.m
Installation	Mounting on 35mm DIN rail
Connection	From top and bottom

### Overall and Installation Dimension(mm)

